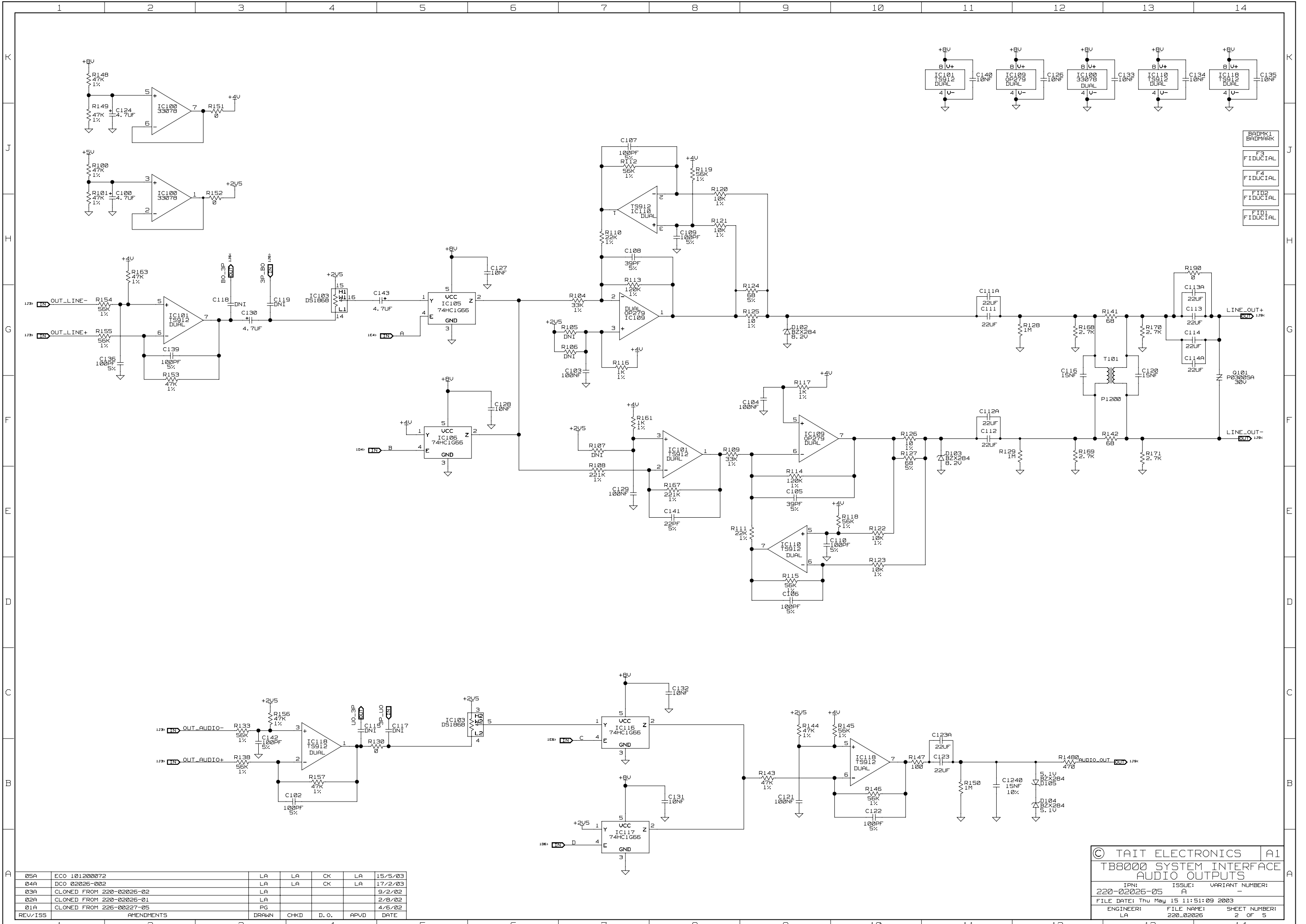


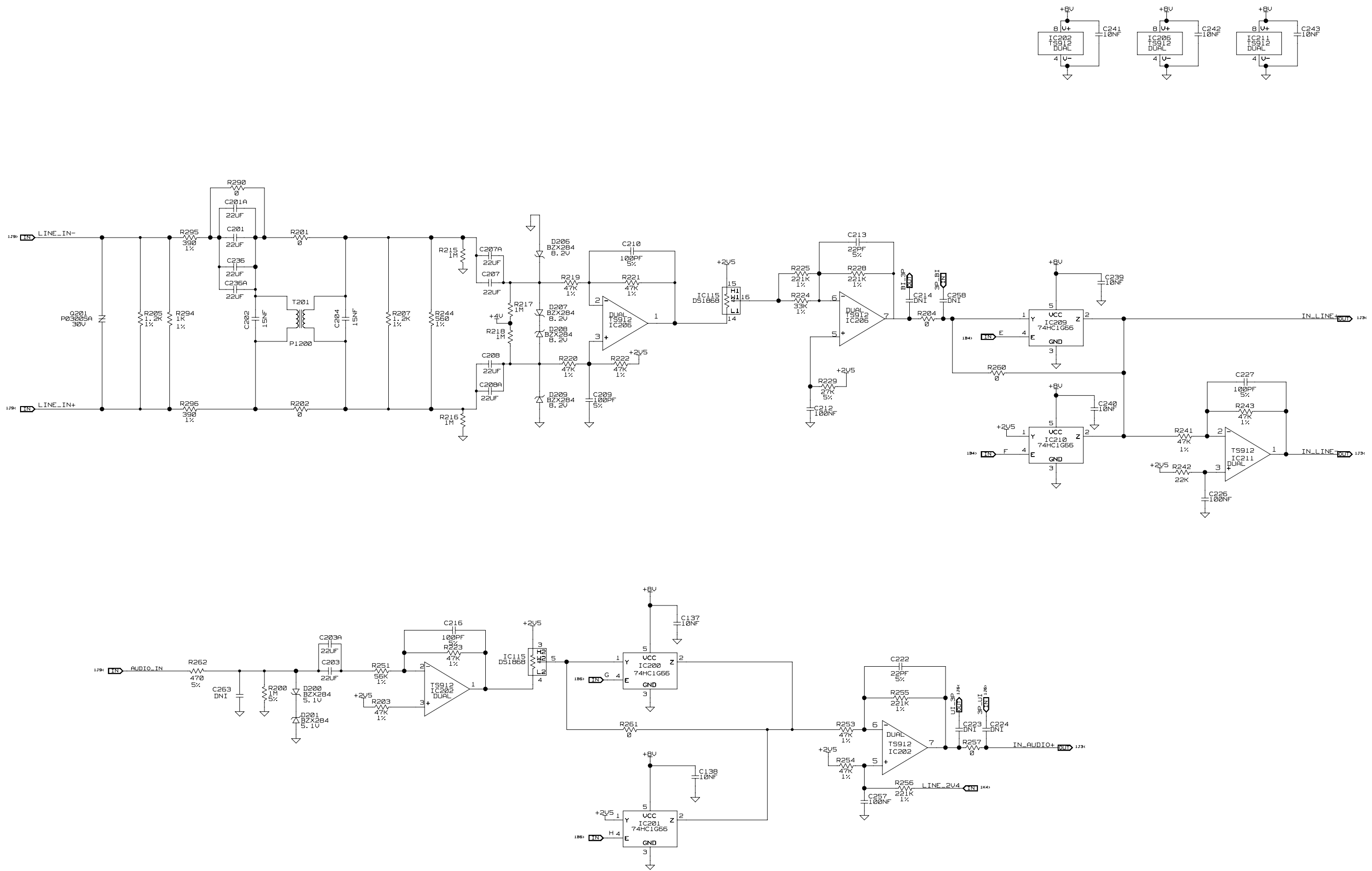
05A	ECO 101200072	LA	LA	CK	LA	15/5/03
04A	DCO 02026-002	LA	LA	CK	LA	17/2/03
03A	CLONED FROM 220-02026-02	LA	LA	CK	LA	9/2/02
02A	CLONED FROM 220-02026-01	LA	LA		LA	2/8/02
01A	CLONED FROM 226-00227-05	PG			PG	4/6/02
REV/ISS	AMENDMENTS	DRAWN	CHKD	D.O.	APVD	DATE

© TAIT ELECTRONICS | A1
 TB8000 SYSTEM INTERFACE
 CONNECTORS & MISC.
 IPN: 220-02026-05 | ISSUE: A | VARIANT NUMBER:
 FILE DATE: Thu May 15 11:50:55 2003
 ENGINEER: LA | FILE NAME: 220_02026 | SHEET NUMBER:
 1 OF 5



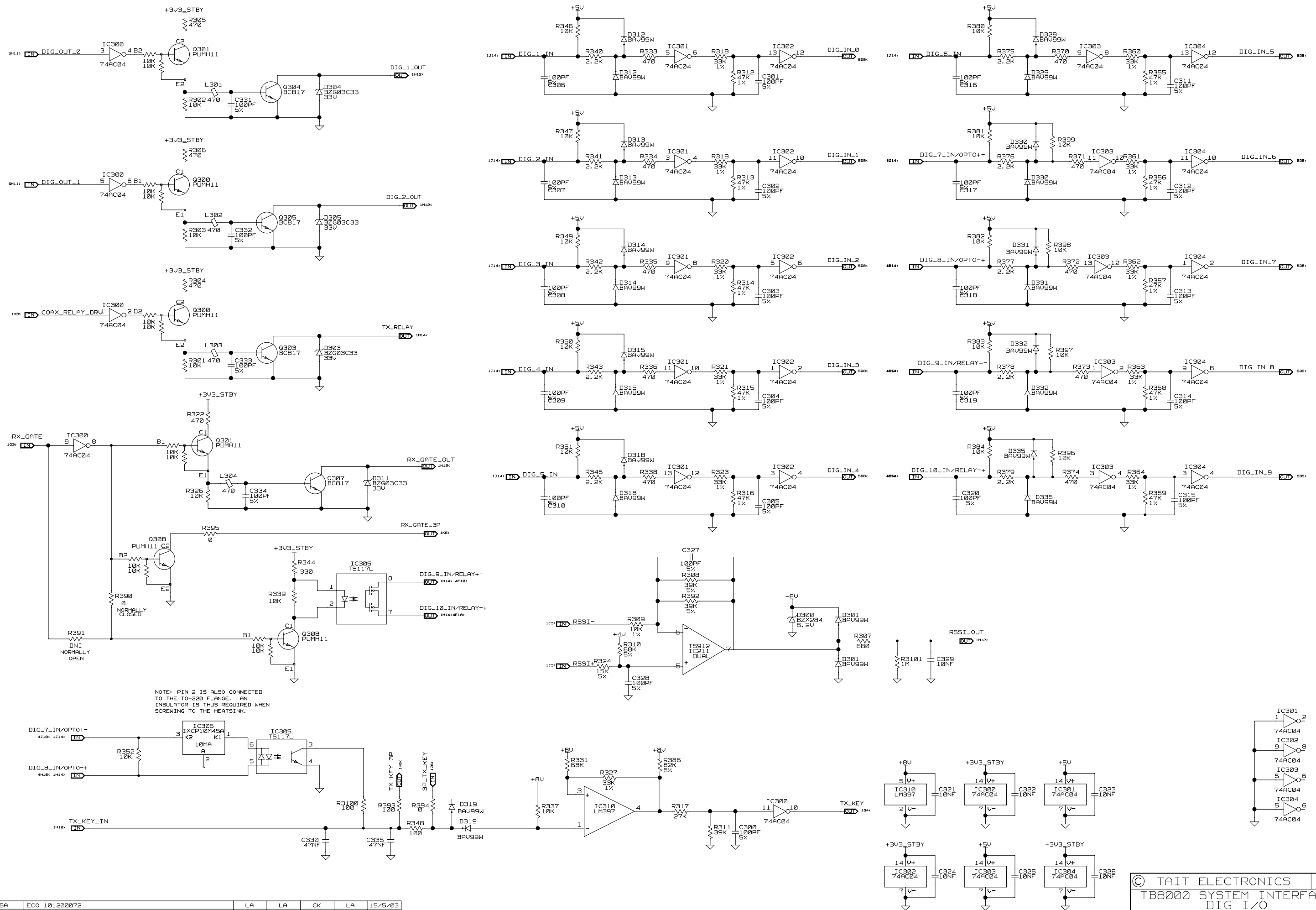
REV/ISS	AMENDMENTS	DRAWN	CHKD	D.O.	APVD	DATE
05A	ECO 10120072	LA	LA	CK	LA	15/5/03
04A	DCO 02026-002	LA	LA	CK	LA	17/2/03
03A	CLONED FROM 220-02026-02	LA	LA	CK	LA	9/2/02
02A	CLONED FROM 220-02026-01	LA			LA	2/8/02
01A	CLONED FROM 226-00227-05	PG			LA	4/6/02

© TAIT ELECTRONICS | A1
 TB8000 SYSTEM INTERFACE
 AUDIO OUTPUTS
 IPN: 220-02026-05 | ISSUE: A | VARIANT NUMBER: -
 FILE DATE: Thu May 15 11:51:09 2003
 ENGINEER: LA | FILE NAME: 220_02026 | SHEET NUMBER: 2 OF 5



REV/ISS	AMENDMENTS	DRAWN	CHKD	D.O.	APVD	DATE
05A	ECO 101200072	LA	LA	CK	LA	15/5/03
04A	DCO 02026-002	LA	LA	CK	LA	17/2/03
03A	CLONED FROM 220-02026-02	LA	LA	CK	LA	9/2/02
02A	CLONED FROM 220-02026-01	LA				2/8/02
01A	CLONED FROM 226-00227-05	PG				4/6/02

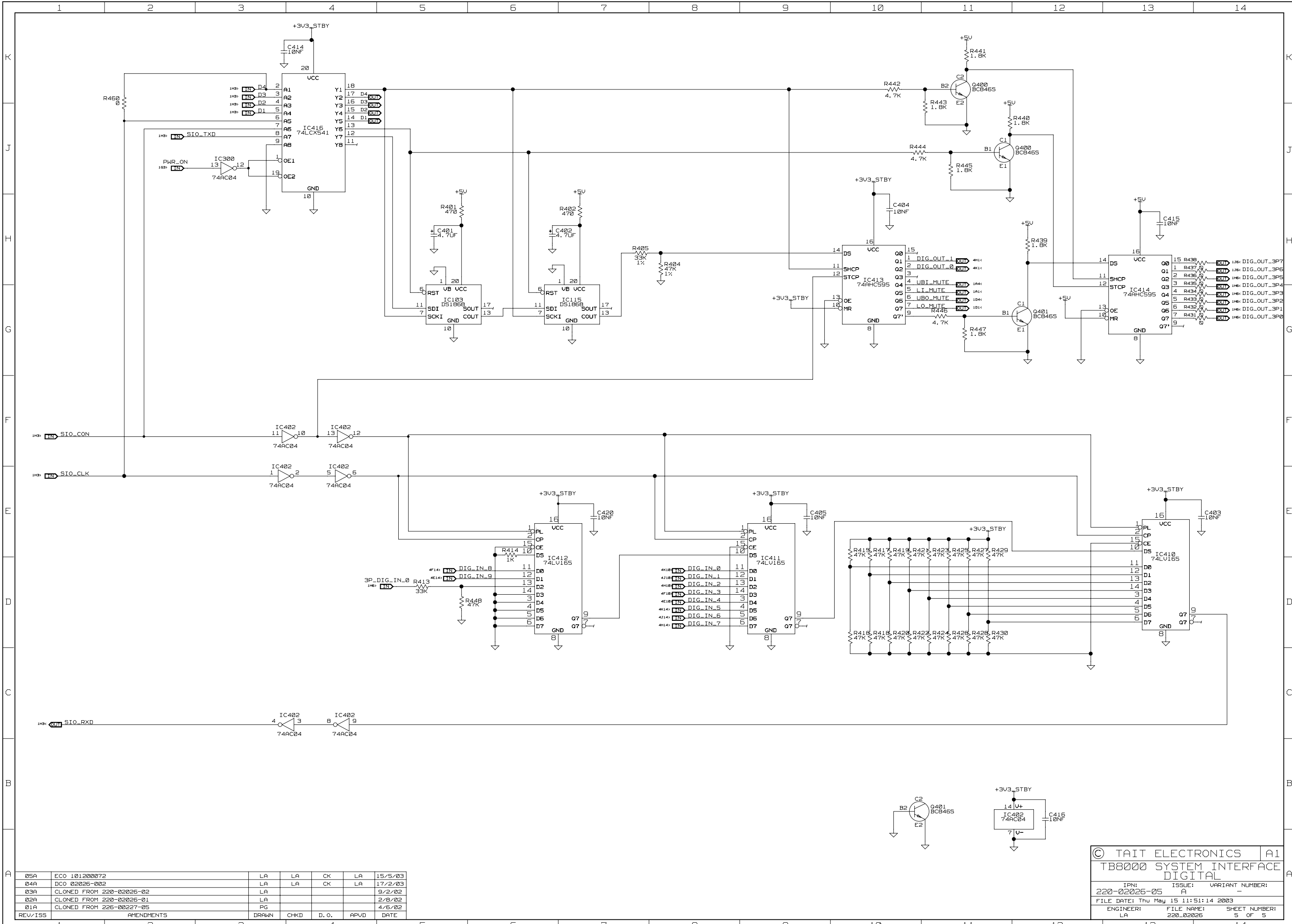
© TAIT ELECTRONICS | A1
 TB8000 SYSTEM INTERFACE
 AUDIO INPUTS
 IPN: 220-02026-05 | ISSUE: A | VARIANT NUMBER: -
 FILE DATE: Thu May 15 11:51:10 2003
 ENGINEER: LA | FILE NAME: 220_02026 | SHEET NUMBER: 3 OF 5



NOTE: PIN 2 IS ALSO CONNECTED TO THE TO-220 FLANGE. AN INSULATOR IS THUS REQUIRED WHEN SCREWING TO THE HEATSINK.

Q5A	ECO 101200072	LA	LA	CK	LA	15/5/03
Q4A	DCO 02026-002	LA	LA	CK	LA	17/2/03
Q3A	CLONED FROM 220-02026-02	LA	LA	CK	LA	9/2/02
Q2A	CLONED FROM 220-02026-01	LA	LA	CK	LA	2/8/02
Q1A	CLONED FROM 226-00227-05	PG	PG	D.O.	APVD	4/6/02
REV/ISS	AMENDMENTS	DRAWN	CHKD	D.O.	APVD	DATE

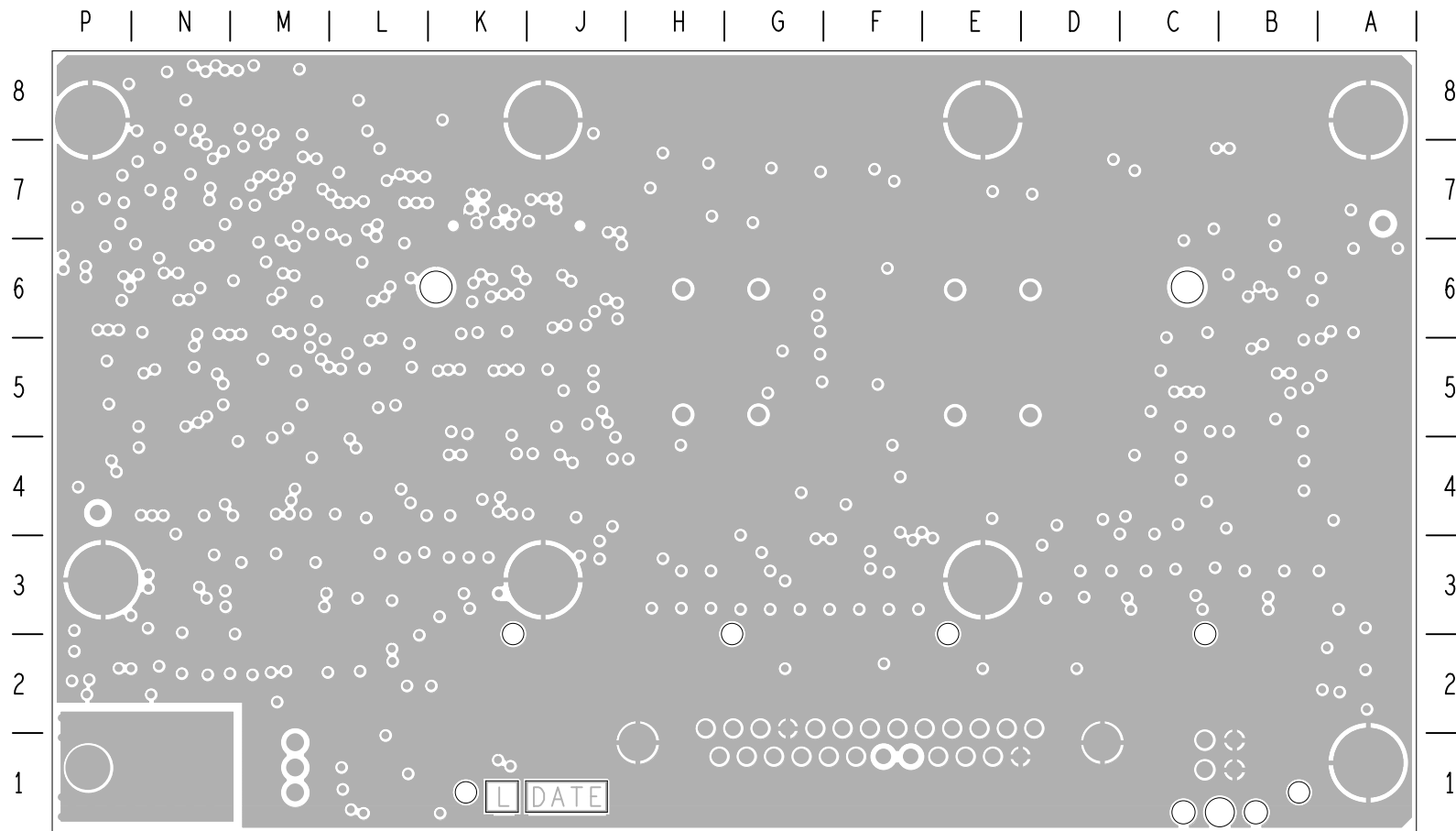
© TAIT ELECTRONICS		A1
TB8000 SYSTEM INTERFACE		
DIG I/O		
IPN:	ISSUE:	VARIANT NUMBER:
220-02026-05	A	-
FILE DATE: Thu May 15 11:51:13 2003		
ENGINEER:	FILE NAME:	SHEET NUMBER:
LA	220_02026	4 OF 5




05A	ECO 101200072	LA	LA	CK	LA	15/5/03
04A	DCO 02026-002	LA	LA	CK	LA	17/2/03
03A	CLONED FROM 220-02026-02	LA	LA	CK	LA	9/2/02
02A	CLONED FROM 220-02026-01	LA	LA	CK	LA	2/8/02
01A	CLONED FROM 226-00227-05	PG	PG	CKD	LA	4/6/02
REV/ISS	AMENDMENTS	DRAWN	CHKD	D.O.	APVD	DATE

© TAIT ELECTRONICS | A1
 TB8000 SYSTEM INTERFACE
 DIGITAL

IPN: 220-02026-05 | ISSUE: A | VARIANT NUMBER: -
 FILE DATE: Thu May 15 11:51:14 2003
 ENGINEER: LA | FILE NAME: 220_02026 | SHEET NUMBER: 5 OF 5



P | N | M | L | K | J | H | G | F | E | D | C | B | A |

 TAIT ELECTRONICS	IPN:	AssyISS:	DATE:
	220-02026-05	A	16May03
TB8000 SYSTEM INTERFACE 220-02026-05_LAYOUT-SECONDARY-SIDE			

NOT TO SCALE